

YHIP-700 DIGITAL EX-PROOF TELEPHONE

PRODUCT FEATURES

- Digital integrated circuit, stable and low consumption
- Digital to reduce noise technique and hi-fi
- To keep a clear communication under 120dB
- To adopt bus type connection (no host) with system capacity 99 units
- Own group and address set function
- With point, group, all and urgent call types
- To use with all kinds of exchanger and operating machine
- Indication light to show working state
- Dual certificate for all kinds of atmospheres
- Stainless steel material, IP65
- Wall mount, indoor and outdoor for all weather use



PRODUCT DESCRIPTION

YHIP-700 is a new kind of digital sound amplifying communication system, with features of betimes, general and convenience

Adopting digital technique and bus station connection type to use with system exchanger who could transfer 5km at quantity of 99 units; owning system self-check function; digital to reduce noise and hi-fi technology to realize high and better response

To set address, group, point call, group call and whole call

With amplifying broadcasting function through system call to locate workers

Supply power 220VAC

Through exchanger, telephone to connect with home or office telephone, while which comes into by two pins code and goes out by setting specially

0~9 numerical and 5 functionality key for easy operation and quickly to know working situation of system

Working under -20°C to +55°C longtime stably

Easy wall installation and maintenance

SUGGESTED EQUIPMENTS

YHIP-800BJ	System Exchanger
YHIP-800A/B/C	Desktop / Indoor Wall type / Outdoor Wall type
YHIP-502	Ex-proof Horn Type Speaker
YHIP-505	Ex-proof Speaker
YHIP-603A/B/C	Speaker Series
YHIP-601	Power Controller



CHANGZHOU YUHUA ELECTRIC EQUIPMENT MANUFACTURING CO.LTD
ADDRESS: NO 60 HEHUAN ROAD, ZHONGLOU DEVELOPMENT ZONE, CHANGZHOU JIANGSU, CHINA
TEL: 86-519-3978591 POSTAL: 213023
FAX: 86-519-3978970 WEB: <http://www.cyh.com.cn>

2006.10 VER: 1.1



YHIP-700 DIGITAL EX-PROOF TELEPHONE

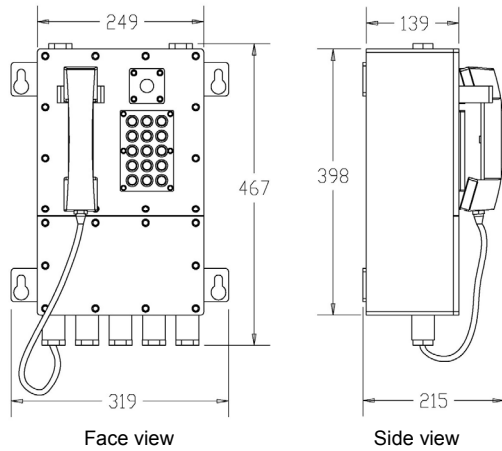
CERTIFICATE

Ex-marking	Exd [ib] II CT6 (No ethyne) DIP A21 TA, T6
Certificate	CNEx06.0465
License	XK06-123-00251

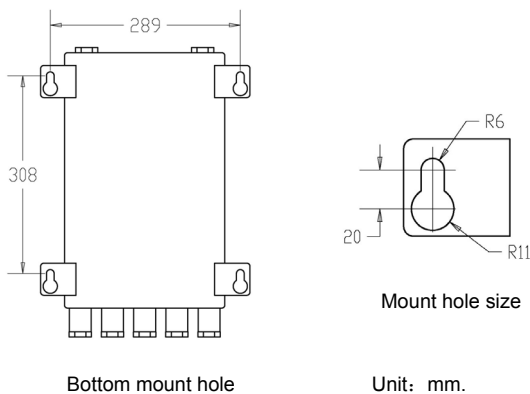
MECHANICAL

Material	1Cr18Ni9Ti or 316L
IP	IP65
Dimension	460(L) x 220(H) x 250(W) mm
Unit weight	30Kg
Ship weight	35Kg
Cable outlet	7
Screw type	G-3/4"
Mount type	Wall mount

DIMENSIONS



MOUNTING SIZE



ELECTRICAL

Input voltage	220VAC, 50/60Hz
Voltage range	±10%
Current	≤1A
Power consumption	< 150W
Fuse	2A
System capacity	99 units, bus topology
Transfer distance	≤ 5Km
Group set	0~10
Frequency response	300~3400Hz
Dialogue channel	7
Signal channel	1
Out line channel	2
Amplifying power	0~50W optional, single or double
Busy tone signal	Frequency: 450Hz±20Hz M/B rate: (0.3~0.4)S : (0.3~0.4)S
Volume	4.7K Ohm potentiometer
Reduce noise	Clear voice and low background noise while environment noise is under 120dB
Dial keypad	0~9 number keys, 5 function keys, Point amplifying key, Group key, Urgent key, Redial key and Off key
State light	Power and run show Signal and amplifying show
Dial code set	Amplifying group set, telephone address set, to dial outline path set
Electric connection	16-core for bus input 16-core for bus output 2-core cable power in 4-core for handle and telephone 2-group 2-core speaker cable out

ENVIRONMENTAL

Air pressure	86~106KPa
Temperature	-20℃~+55℃
Humidity	≤95%RH(+25℃)

Unit: mm.